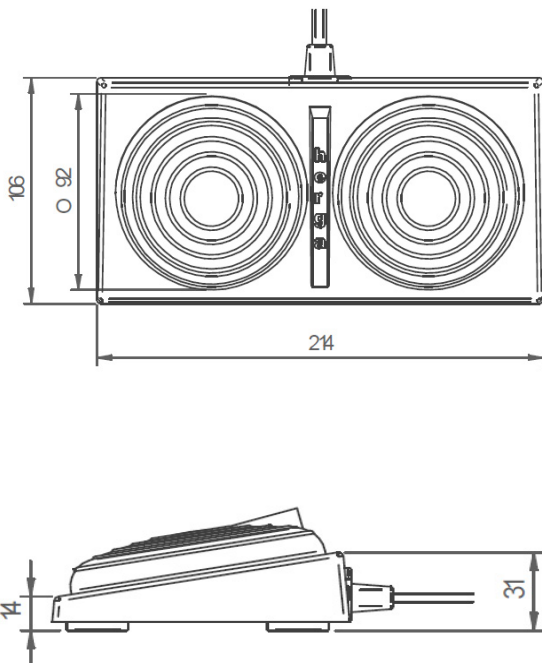




- ▶ **Angled base for ease of use**
- ▶ **Ideal for dirty / wet environments**
- ▶ **Twin 6447 pneumatic foot bellow**
- ▶ **Both black bellows fitted to grey double pedal base with divider**
- ▶ **2 meters of grey 1.5mm bore twin tubing**
- ▶ **Lighthweigh: 0.3kg**
- ▶ **Operating Temperature: -10° C to + 40° C**

Dimensions



Recommended depression time is 30 seconds, for applications requiring a greater period please contact sales to discuss further.